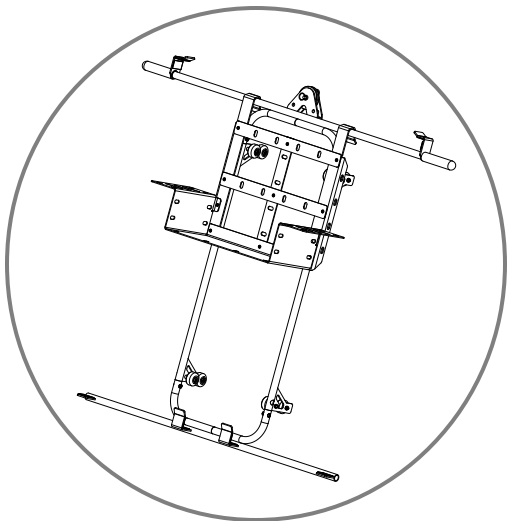
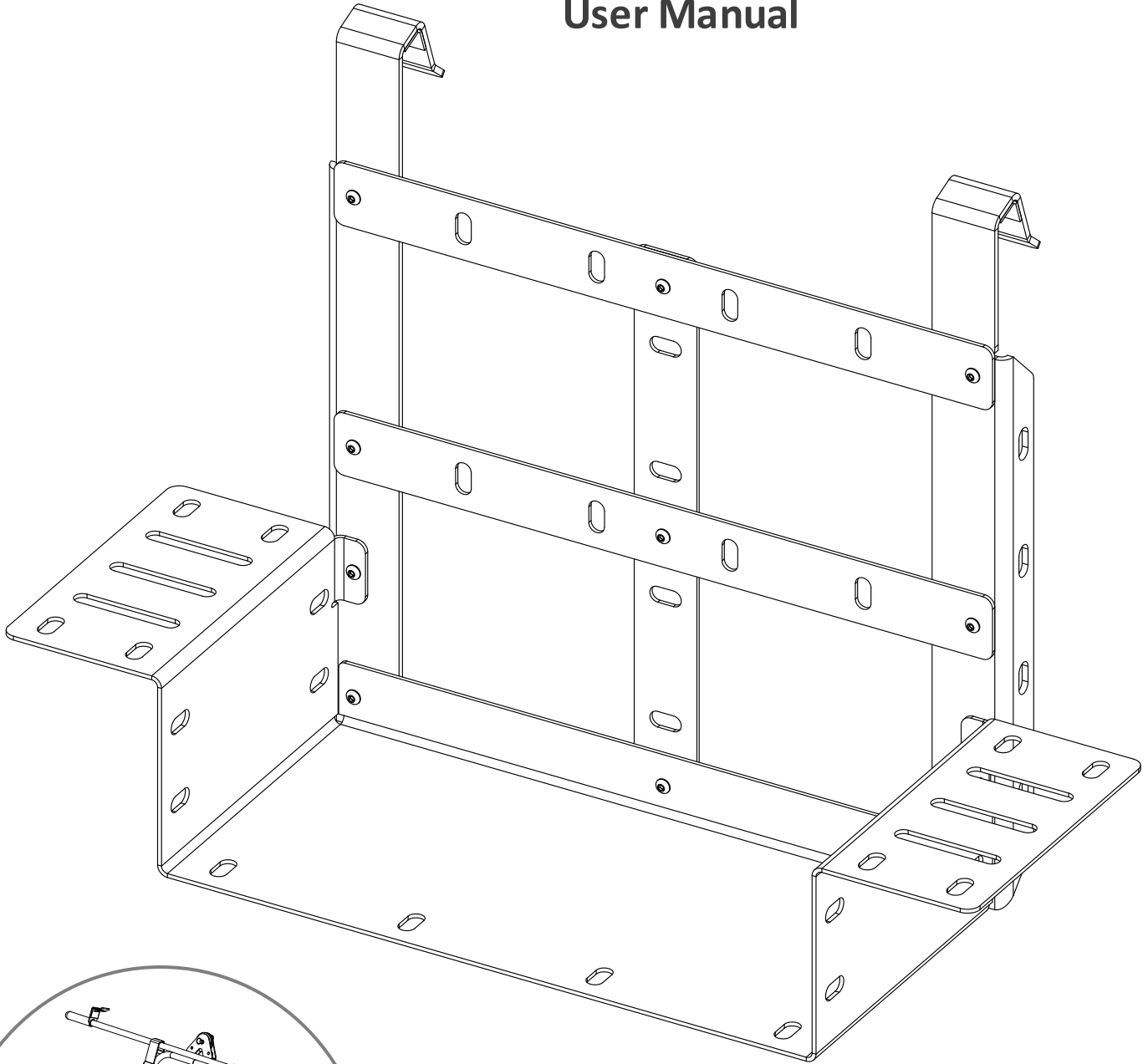


CarryALL™

User Manual



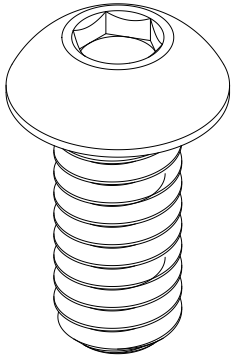
IMPORTANT NOTICE

The FUEL CarryALL™ is a companion attachment for the FUEL Solar Lift. It is designed exclusively for the FUEL Solar Lift for lifting bulk loads and should not be used with any other lift systems.

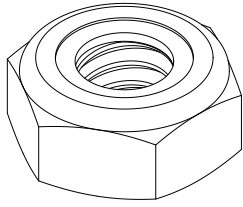
This user manual provides instructions for the assembly and attachment of the CarryALL.

Please refer to your FUEL Solar Lift User Manual instructions for lifting operation of the FUEL Solar Lift system.

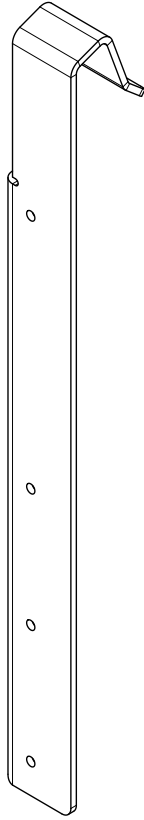
11x



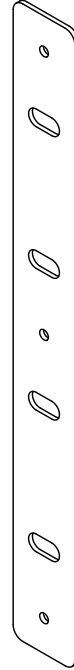
11x



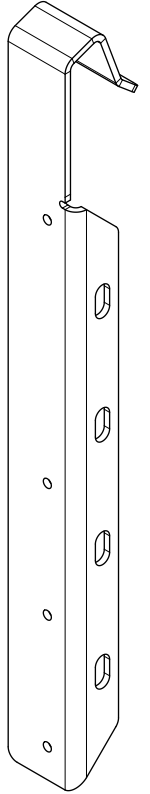
1x



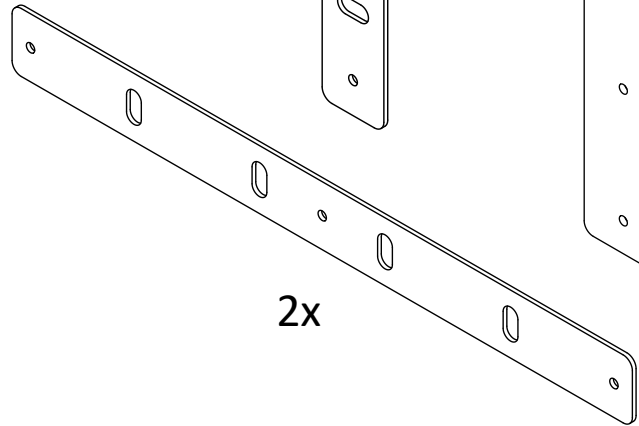
1x



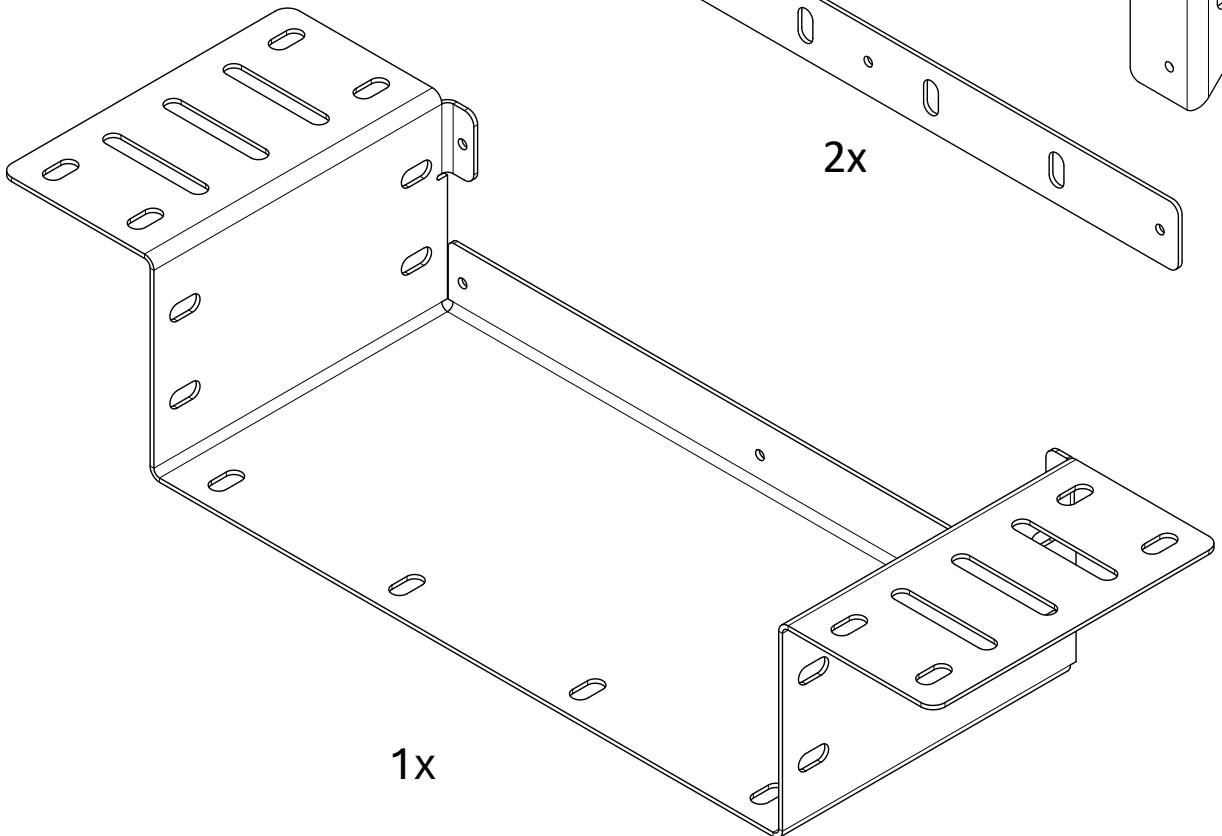
1x

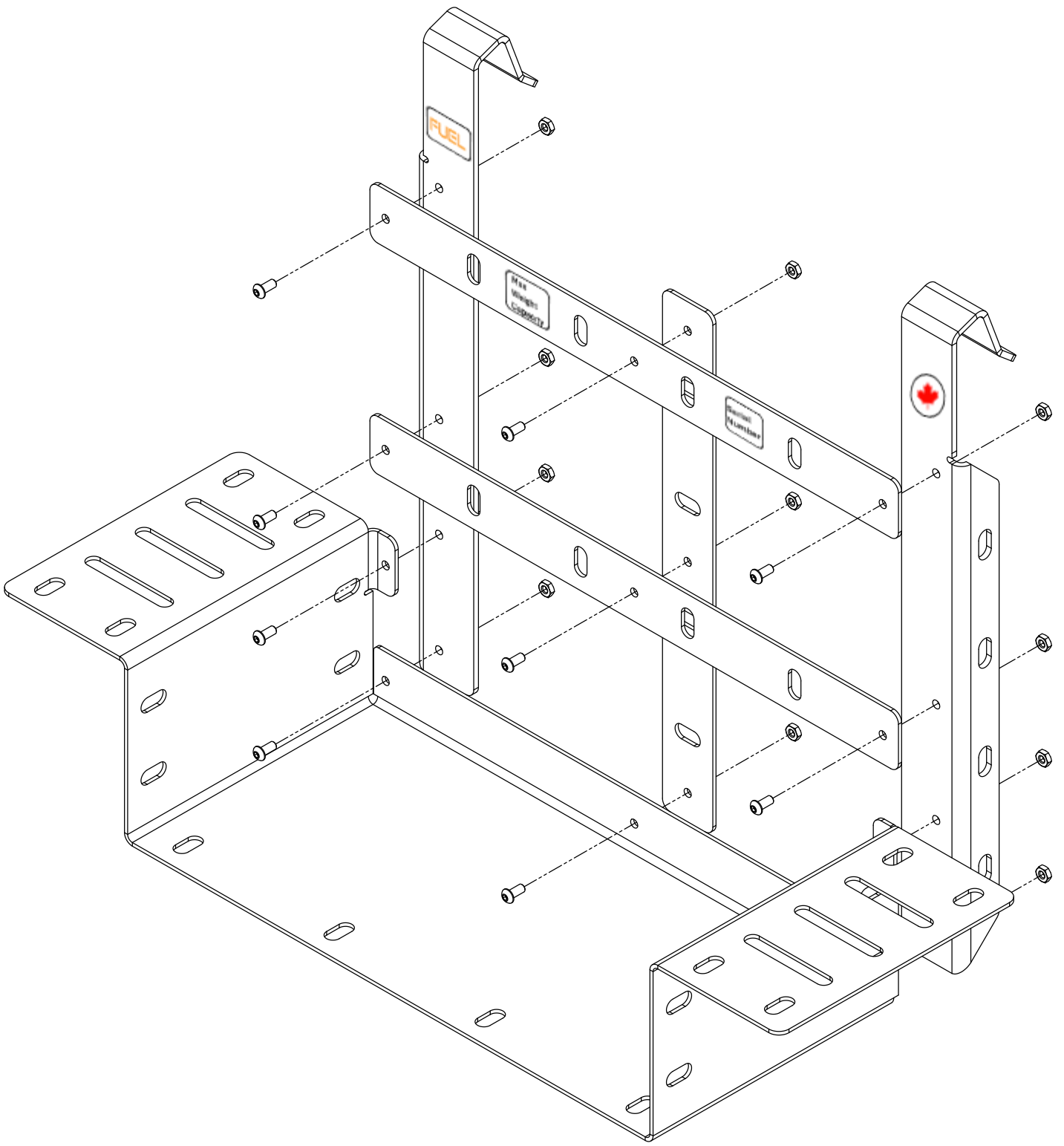


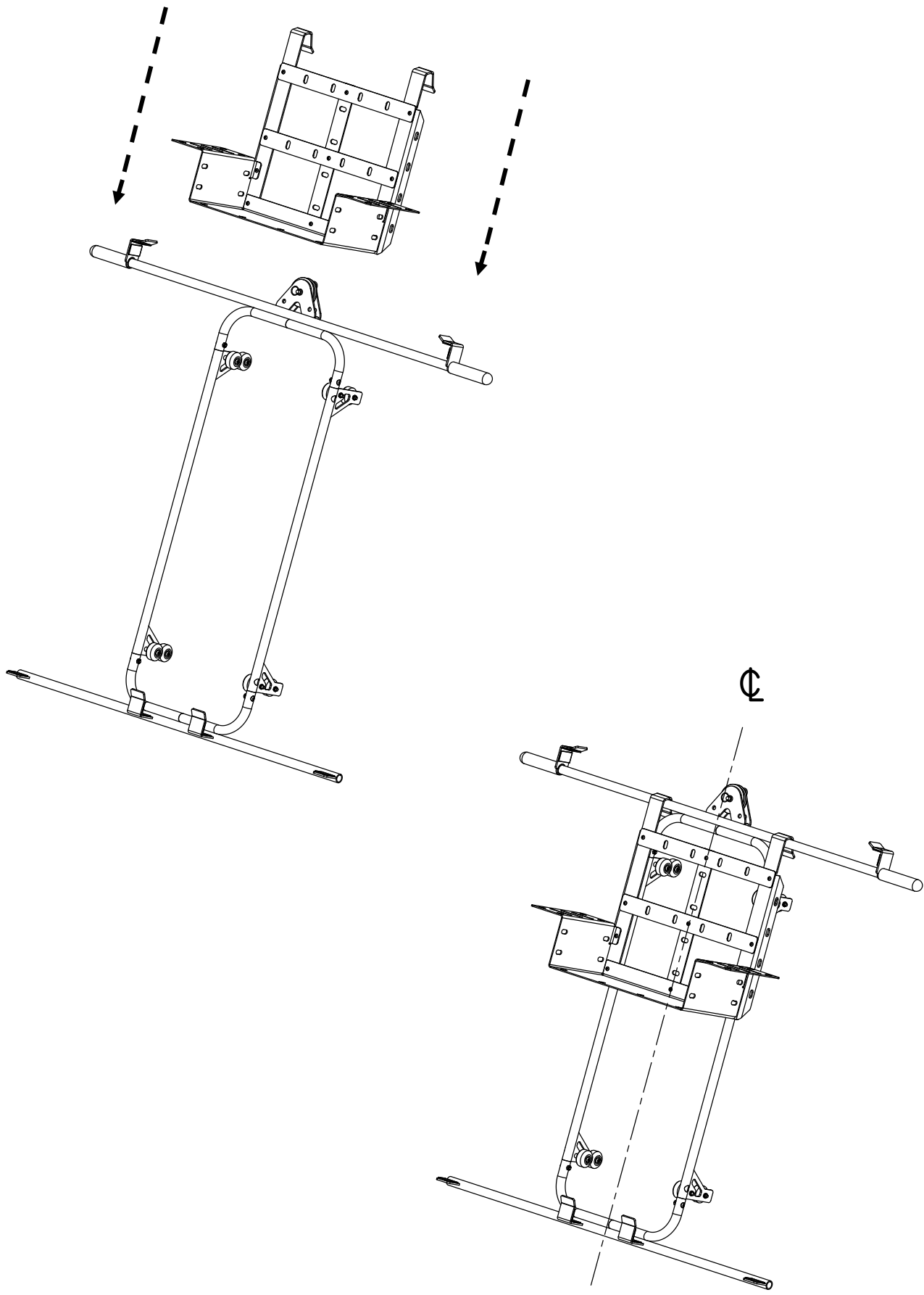
2x

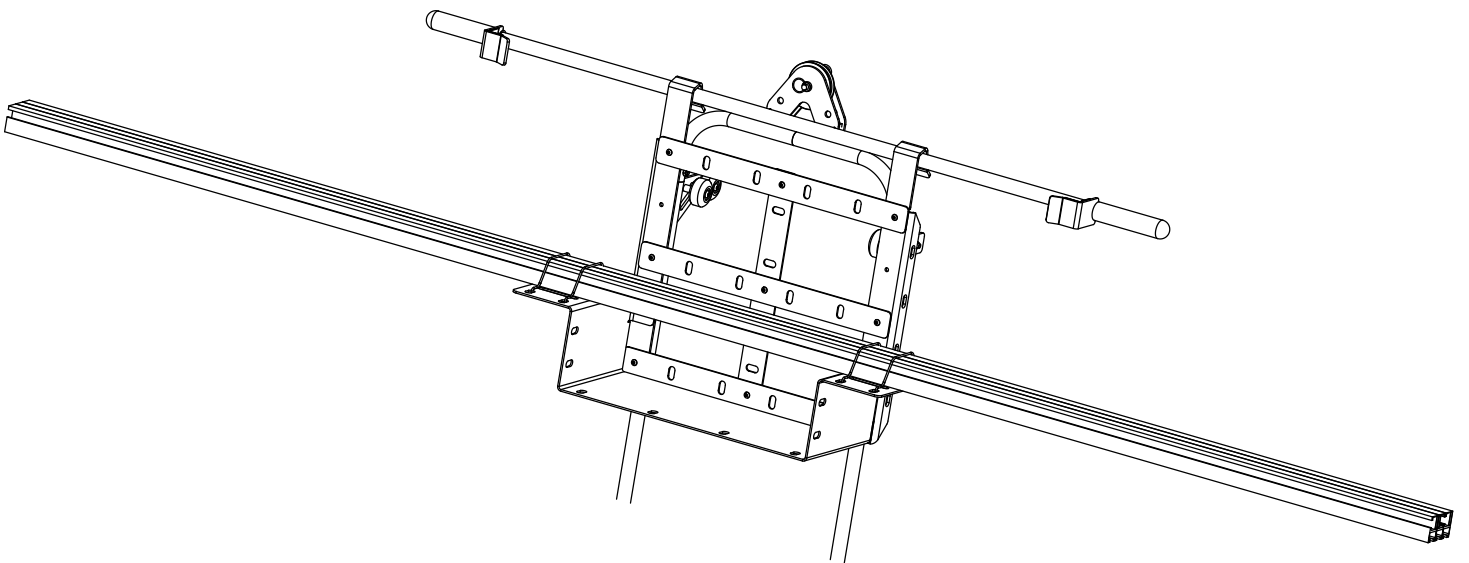
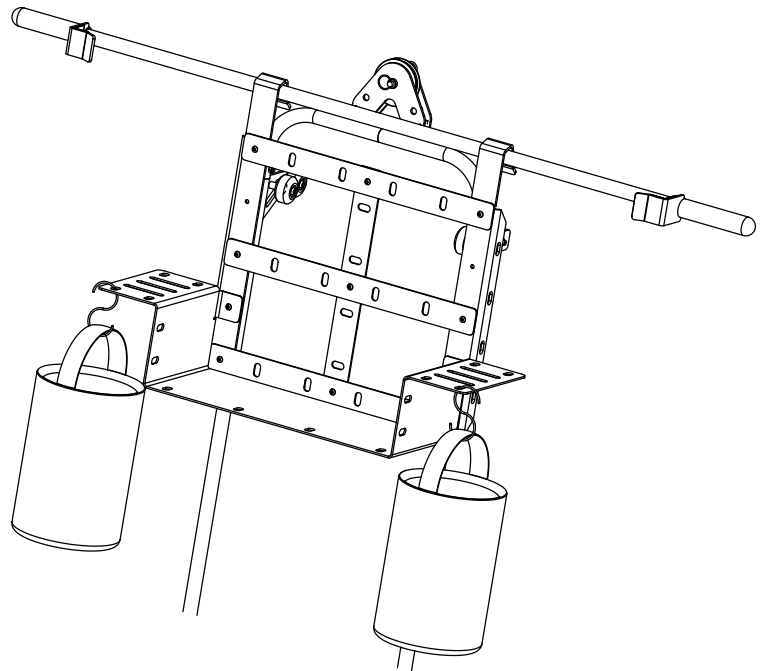
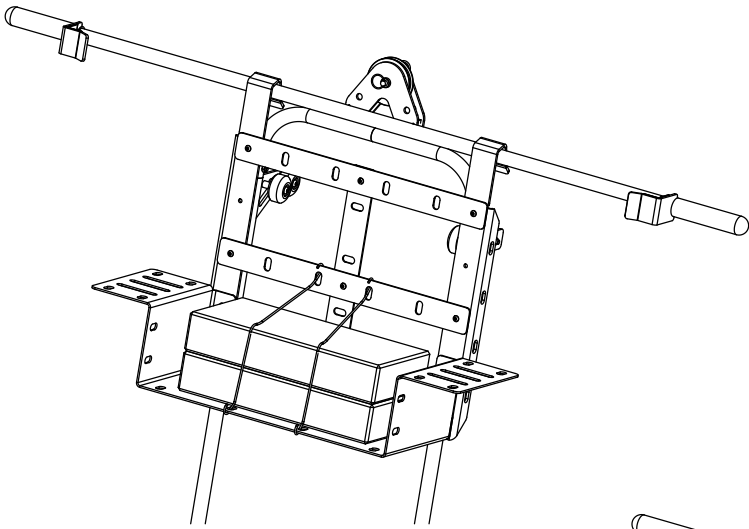


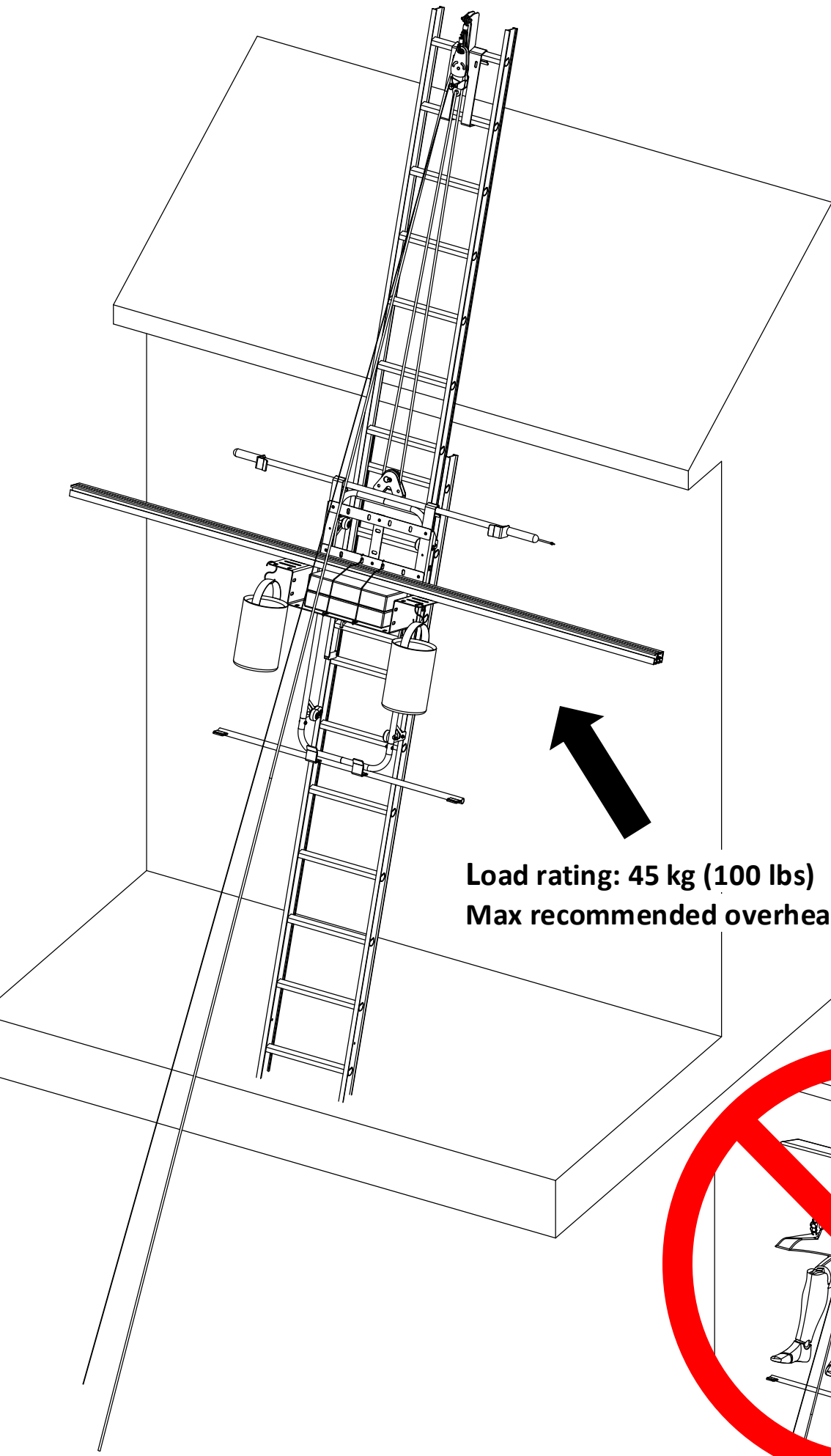
1x



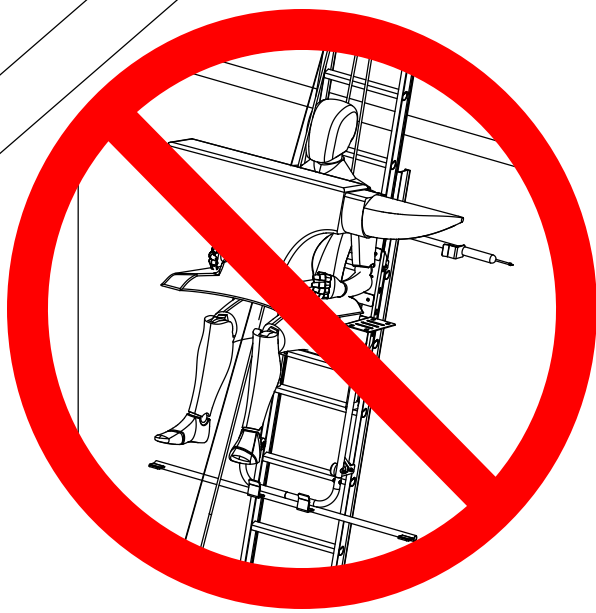








Load rating: 45 kg (100 lbs)
Max recommended overhead limit: 30 kg (65 lbs)



CARE AND MAINTENANCE

The CarryALL should be kept clean and stored in a manner that will not cause damage. All parts should be inspected regularly to be in good working order and free from rust, wear, etc.

WARRANTY

The CarryALL includes a limited warranty that covers defects in workmanship and materials of the components manufactured by FUEL Innovation Design & Manufacturing Inc. (FUEL) for a period of 1 year from the delivery date under normal use during the warranty period. During the warranty period FUEL will repair or replace, at no charge, components that prove defective. This warranty does not apply in cases of misuse, unauthorized modifications or alterations, improper use, improper maintenance, accident, negligence, damage or if the product is used for a purpose that it was not designed for.

CONTACT

We are here to help so please contact us with any questions or concerns!
support@fuelinnovate.com